

FEATURES

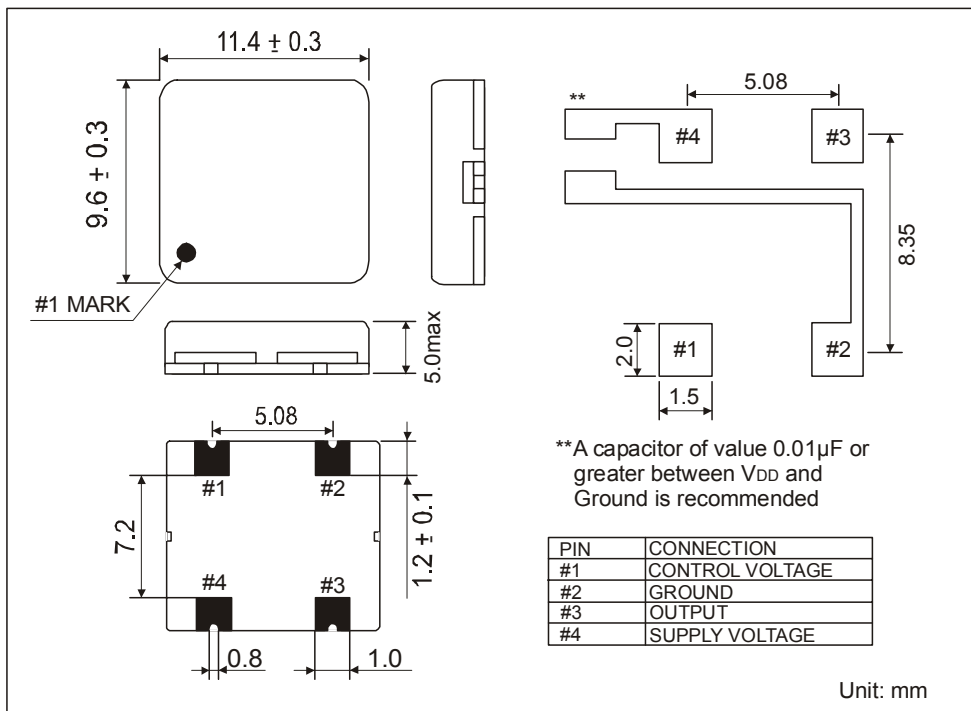
- HIGH RELIABILITY FOR LOW COST
- OPTIMISED FOR SDH/SONET APPLICATIONS
- FREQUENCIES UP TO 700.0 MHz AVAILABLE
- EXCELLENT JITTER PERFORMANCE
- EXTENDED TEMPERATURE RANGE UP TO -40/+85°C AVAILABLE
- APPLICATIONS: FIBER CHANEL, GIGABIT ETHERNET, SDH/SONET, BROADBAND, TELECOM, ETC.

SERIES		M7312		
PACKAGE		SMD-PACKAGE 11.4 x 9.6 x 5.0 mm		
FREQUENCY RANGE		480.0 ~ 700.0 MHz		
	VS. TEMPERATURE	+50 ~ +-100 ppm		
	VS. SUPPLY VOLTAGE	+5 ppm max.		
	VS. LOAD	+1 ppm max.		
	VS. AGING	+5 ppm max. / first year		
OPERATING TEMPERATURE RANGE		-10/+60°C ~ -40/+85°C		
STORAGE TEMPERATURE RANGE		-55/+125°C		
INPUT		VOLTAGE	+3.3 VDC +-5%	
		CURRENT	100 mA max.	
OUTPUT	SYMMETRY	STANDARD	40/60%	
		OPTION	45/55%	
	SIGNAL	PECL		
	RISE AND FALL TIME		1.5 ns max. (20% TO 80% PECL)	
	"0" LEVEL	FOR PECL	VDD-1.62 V max.	
	"1" LEVEL		VDD-1.02 V min.	
LOAD	50 Ω to VDD-2VDC			
START-UP TIME		10 mS max.		
INPUT IMPEDANCE		50 kΩ min.		
PERIOD JITTER RMS		8 ps typical		
CONTROL VOLTAGE RANGE STANDARD		0 ~ 3.3 VDC		
CENTER VOLTAGE		1.65 VDC		
PULLABILITY		+50 ppm min.		
LINEARITY		10% max.		
SLOPE		POSITIVE		
PIN CONNECTION		PIN 1	CONTROL VOLTAGE	
		PIN 2	CASE GROUND	
		PIN 3	OUTPUT	
		PIN 4	SUPPLY VOLTAGE	
OTHER PARAMETERS ARE AVAILABLE ON REQUEST / CREATE HERE YOUR SPECIFICATION				

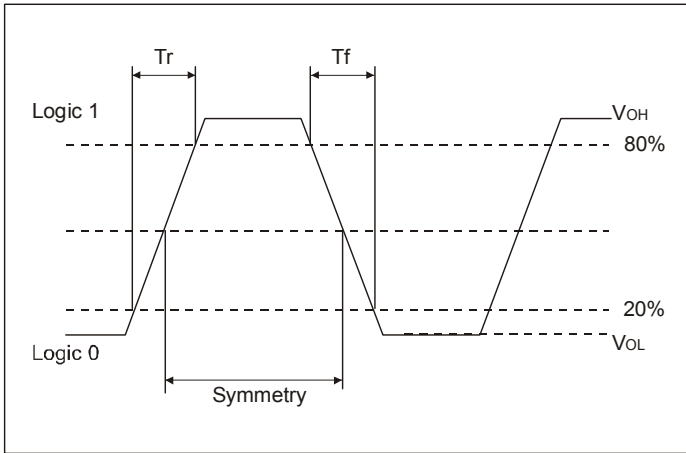
PART NUMBERING GUIDE

EXAMPLE	M7312-50-W-S-VX3-50-622.08MHz-T
SERIES	M7312
STABILITY VS. TEMPERATURE	BLANK = +/- 100 ppm
	50 = +/-50 ppm
	X = OTHER VALUE - PLEASE INDICATE YOUR REQUIRED VALUE
TEMPERATURE RANGE	BLANK = 0/+70°C
	N = -10/+60°C
	M = -20/+70°C
	W = -40/+85°C
	X = OTHER VALUE - PLEASE INDICATE YOUR REQUIRED VALUE
SYMMETRY	BLANK = 40/60%
	S = 45/55%
CONTROL VOLTAGE	VX3 = 0 ~ 3.3 V
PULLING RANGE	BLANK = +/-100 ppm min.
	50 = +/-50 ppm min.
	IF YOU REQUIRE ANOTHER VALUE PLEASE INDICATE THE REQUIRED VALUE
FREQUENCY	FREQUENCY IN MHz
TAPE AND REEL PACKAGE	-T

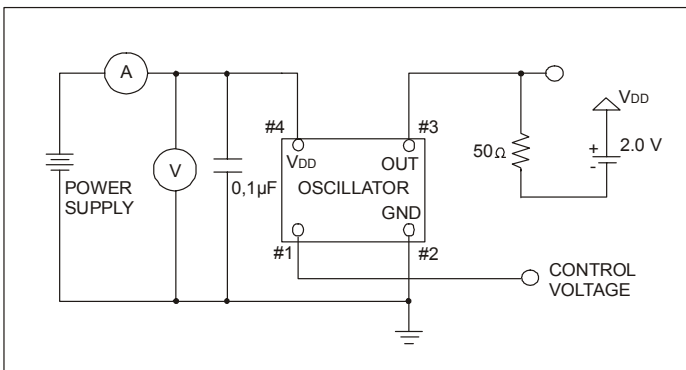
OUTLINE DRAWING OF M7312



OUTPUT WAVE FORM OF PECL



TEST CIRCUIT FOR PECL TYPE M7311



REFLOW SOLDER PROFILE

